





SUBMITTAL DATA

LIV12HP115V1R32AH / LIV12HP115V1R32AO
12000 BTU/H Wall Mounted Heat Pump System

Job Name	Location	Date
Purchaser	Engineer	
Submitted to	For	
Unit Designation	Schedule No.	

			
YBE1FB1F	LIV12HP115V1R32AH	LIV12HP115V1R32AO	XE71 (Optional)

GENERAL FEATURES

- AHRI Certificate: [214779351](#)
- New R32 Refrigerant
- High Efficiency DC Inverter Technology
- Compact and Quiet Design
- Wireless Remote with LCD Display
- Wired Controller Options
- Composite Drain Pan
- Wi-Fi Included
- Low Ambient Cooling down to 0°F (Range 0°F to 118°F)
- Low Ambient Heating down to -13°F (Range -13°F to 75°F)
- Coil (Indoor and Outdoor) Copper Tube / Aluminum Fin
- Blue Colored Fin - 500 Hrs Salt Spray Tested

SPECIFICATIONS, FEATURES & FUNCTION SUMMARY

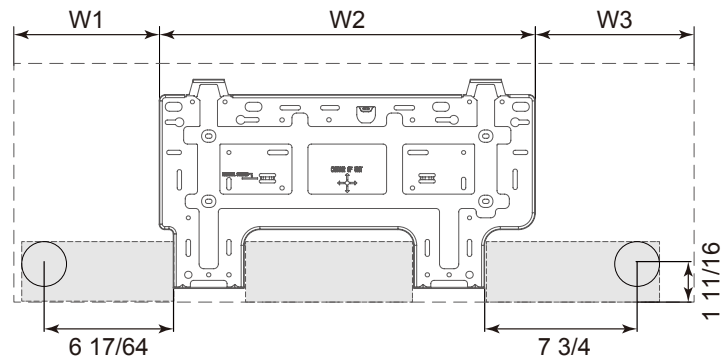
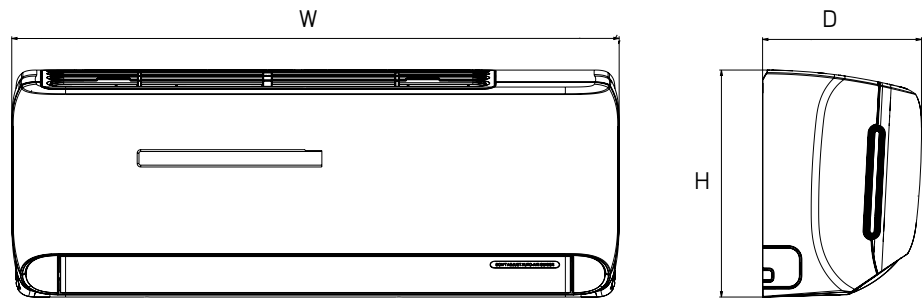
SYSTEM TYPE			HEAT PUMP		FEATURES & FUNCTIONS SUMMARY	
Outdoor Model			LIV12HP115V1R32AO		Inverter Type	G20
Indoor Model			LIV12HP115V1R32AH		Ultra Low Frequency Torque Control	Yes
SYSTEM PERFORMANCE						
Cooling Capacity	Min - Max	Btu/h	3,070 - 13,300		Power Factor Correction	Yes
	Rated Capacity @95°F	Btu/h	12,000		Basepan With Electric Heater	Yes
Heating Capacity	Min - Max	Btu/h	3,070 - 14,600		Compressor With Electric Heater	Yes
	Rated Capacity @47°F	Btu/h	12,000		Outdoor Fin Coating (Color:Blue)	Acrylic-Resin/Anti-Corrosive
	Rated Capacity @17°F	Btu/h	9,700		Intelligent Defrosting	Yes
	Rated Capacity @5°F	Btu/h	8,500		Force Defrosting	Yes
SEER2			19.0		Intelligent Preheating	Yes
EER2			9.3		Low Voltage Startup	Yes
HSPF2			8.5		Memory/Power Failure Recovery	Yes
COP @5°F			1.75		Self Diagnosis	Yes
Cooling Temperature Range		°F	0 - 118		Wired Controller Interface	Yes
Heating Temperature Range		°F	-13 - 75		WiFi Included	Yes
Refrigerant Type			R32		Indoor Fan Type	Crossflow
INDOOR UNIT			LIV12HP115V1R32AH		Multi Fan Speeds	6 Speeds
Air flow (Min - Max)		CFM	182 - 424		Indoor Unit Display	Yes
Sound Pressure Level (Min - Max)		dB(A)	27 - 47		Auxiliary Electrical Heater	No
Dehumidification		pt/hr	2.96		Ventilation (Outdoor Air)	No
External Dimensions (W x H x D)		in	32-7/8 x 10-53/64 x 7-7/8		REMOTE CONTROLLER FUNCTIONS	
Package Dimension (W x H x D)		in	35-15/64 x 13-37/64 x 10-43/64		Auto Mode	Yes
Net Weight		lbs	19.8		Auto Fan	Yes
Gross Weight		lbs	24.3		Auto Swing (Horizontal Auto Swing)	Yes
OUTDOOR UNIT			LIV12HP115V1R32AO		Auto Swing (Vertical Auto Swing)	Yes
Compressor Type		GREE G20 / SINGLE CYLINDER / 1 - STAGE INVERTER		Clock on Remote Controller	Yes	
Sound Pressure Level		dB(A)	52		Dry Mode	Yes
External Dimensions (W x H x D)		in	28-13/16 x 21-7/8 x 12-63/64		Dry Anti-Mildew (X-Fan) Mode	Yes
Package Dimension (W x H x D)		in	31-17/64 x 24-7/32 x 14-51/64		Energy Saving Mode	Yes
Net Weight		lbs	58.4		Dirty Filter Alert	No
Gross Weight		lbs	63.9		I Feel Function	Yes
REFRIGERANT PIPING						
Refrigerant Charge - R32		oz	17.6		Lock on Remote Controller	Yes
Additional Charge		oz/ft	0.2		Quiet Mode	Yes
Line Set Size (Liquid - Gas) - Flared Connections		in	1/4 - 3/8		Room Temperature Display	Yes
Pre-Charge Length		ft	25		Sleep Mode	Yes
Pipe Length (Min - Max)		ft	10 - 66		Timer Mode	Yes
Max. Pipe Elevation		ft	40		Turbo Mode	Yes
ELECTRICAL						
Power Supply		115V / 1Ph / 60Hz (Powered by the Outdoor Unit)		Display On/Off Control	Yes	
Voltage Range (Min - Max)		VAC	103 - 126		Freeze Guard Mode (46°F)	Yes
Rated Current - Cooling		A	14.34		Display On/Off Control	Yes
Rated Current - Heating		A	14.64			
MOCP		A	20			
MCA		A	19			
Main Power Wire Size		AWG	Per Local Code			
Interconnecting Wire Size		AWG	14 / 4			

DIMENSIONS

INDOOR UNIT

Unit: inch

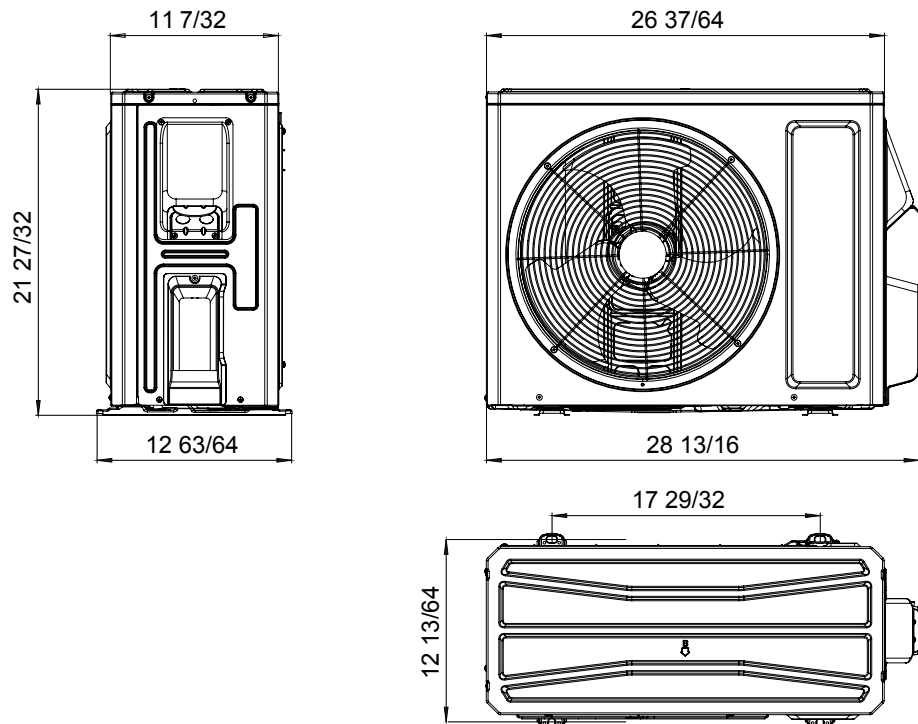
LIV12HP115V1R32AH	
DIMENSIONS	
W	32 7/8
H	10 53/64
D	7 7/8
W1	7 1/64
W2	18 3/16
W3	7 43/64



OUTDOOR UNIT

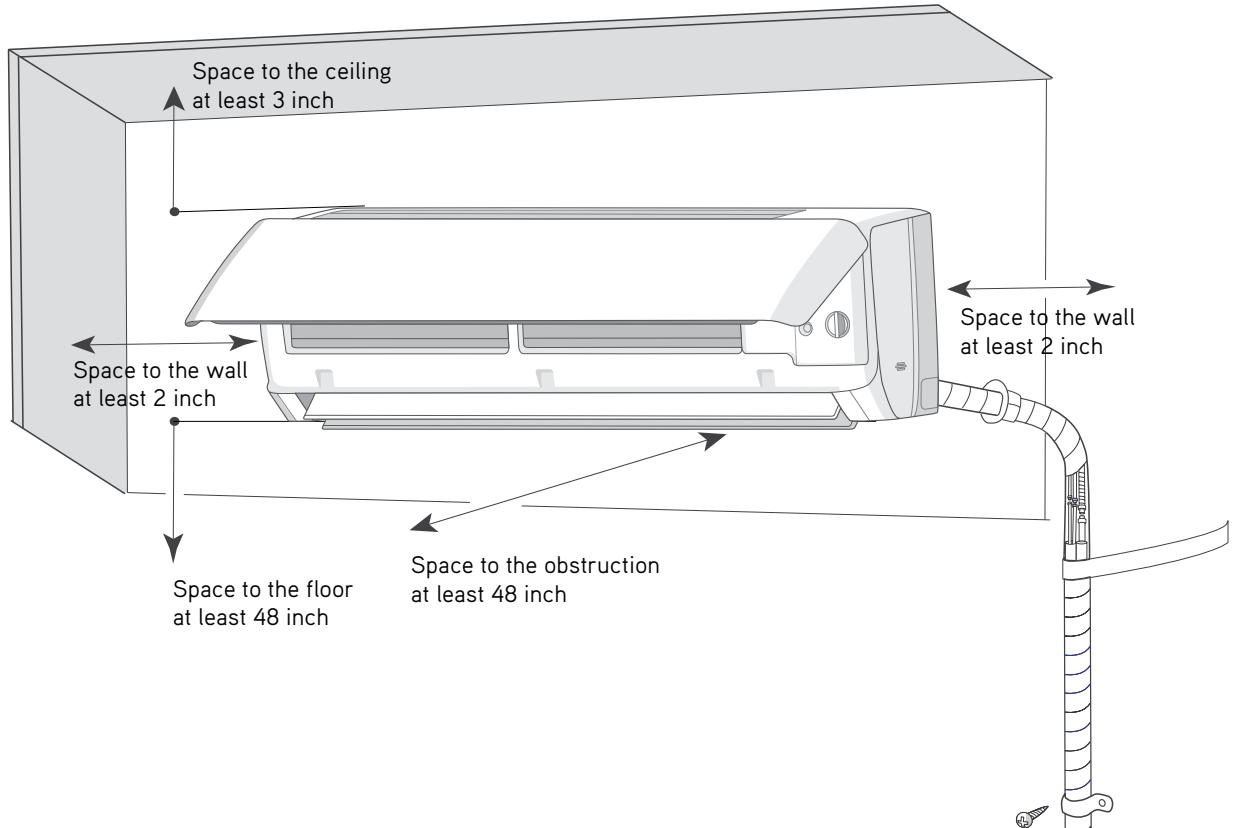
Unit: inch

LIV12HP115V1R32AO

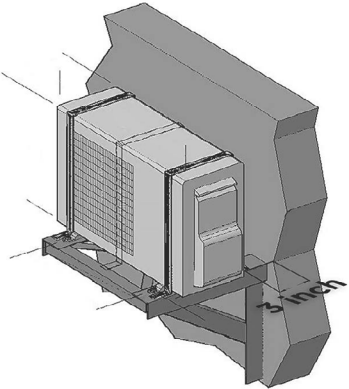


CLEARANCES

INDOOR UNIT Minimum clearance



OUTDOOR UNIT Minimum clearance



NOTE:
If bottom of the unit is free of airflow obstructions similar to the mounting bracket figure, the clearance to the wall on the back can be reduced to 3 inches.



Specifications are subject to change without notice. Manufacturer reserves the right to discontinue or modify specifications or designs without notice or without incurring obligations. All Rights reserved.