
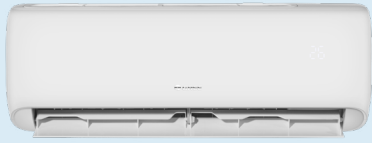




SUBMITTAL DATA

LIV24HP230V1R32AH / LIV24HP230V1R32AO
24000 BTU/H Wall Mounted Heat Pump System

Job Name	Location	Date
Purchaser	Engineer	
Submitted to	For	
Unit Designation	Schedule No.	

			
YBE1FB1F	LIV24HP230V1R32AH	LIV24HP230V1R32AO	XE71 (Optional)

GENERAL FEATURES

- AHRI Certificate: [214779349](#)
- New R32 Refrigerant
- High Efficiency DC Inverter Technology
- Compact and Quiet Design
- Wireless Remote with LCD Display
- Wired Controller Options
- Composite Drain Pan
- Wi-Fi Included
- Low Ambient Cooling down to 0°F (Range 0°F to 118°F)
- Low Ambient Heating down to -13°F (Range -13°F to 75°F)
- Coil (Indoor and Outdoor) Copper Tube / Aluminum Fin
- Blue Colored Fin - 500 Hrs Salt Spray Tested

SPECIFICATIONS, FEATURES & FUNCTION SUMMARY

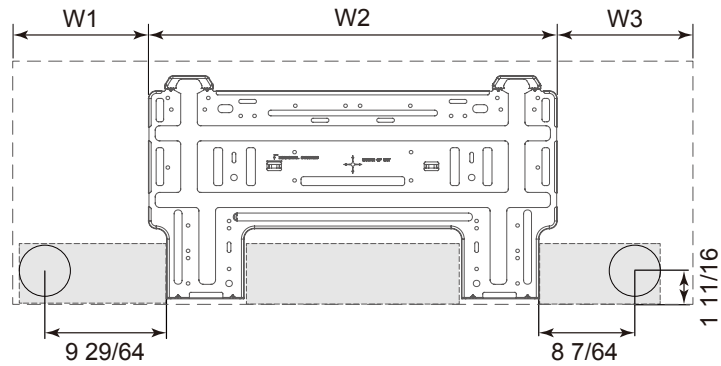
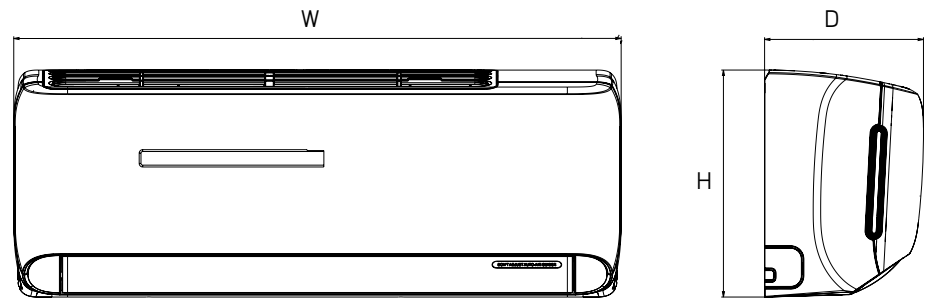
SYSTEM TYPE			HEAT PUMP			FEATURES & FUNCTIONS SUMMARY		
Outdoor Model			LIV24HP230V1R32AO			Inverter Type		
Indoor Model			LIV24HP230V1R32AH			G20		
SYSTEM PERFORMANCE						Ultra Low Frequency Torque Control		
Cooling Capacity	Min - Max	Btu/h	5,800 - 26,270			Power Factor Correction		
	Rated Capacity @95°F	Btu/h	24,000			Yes		
Heating Capacity	Min - Max	Btu/h	5,400 - 26,600			Basepan With Electric Heater		
	Rated Capacity @47°F	Btu/h	24,000			Yes		
	Rated Capacity @17°F	Btu/h	19,200			Compressor With Electric Heater		
	Rated Capacity @5°F	Btu/h	15,700			Yes		
SEER2			19.0			Outdoor Fin Coating (Color:Blue)		
EER2			11.9			Acrylic-Resin/Anti-Corrosive		
HSPF2			8.5			Intelligent Defrosting		
COP @5°F			1.75			Yes		
Cooling Temperature Range		°F	0 - 118			Force Defrosting		
Heating Temperature Range		°F	-13 - 75			Yes		
Refrigerant Type			R32			Intelligent Preheating		
INDOOR UNIT			LIV24HP230V1R32AH			Low Voltage Startup		
Air flow (Min - Max)		CFM	412 - 677			Yes		
Sound Pressure Level (Min - Max)		dB(A)	36 - 51			Memory/Power Failure Recovery		
Dehumidification		pt/hr	5.28			Yes		
External Dimensions (W x H x D)		in	42-7/16 x 13-7/64 x 9-11/16			Self Diagnosis		
Package Dimension (W x H x D)		in	44-39/64 x 16-19/64 x 13-7/64			Yes		
Net Weight		lbs	33.1			Wired Controller Interface		
Gross Weight		lbs	39.7			Yes		
OUTDOOR UNIT			LIV24HP230V1R32AO			WiFi Included		
Compressor Type		GREE G20 / SINGLE CYLINDER / 1 - STAGE INVERTER					Indoor Fan Type	
Sound Pressure Level		dB(A)	58			Crossflow		
External Dimensions (W x H x D)		in	37-23/32 x 25-63/64 x 15-53/64			Multi Fan Speeds		
Package Dimension (W x H x D)		in	40-5/8 x 29-1/64 x 17-61/64			6 Speeds		
Net Weight		lbs	93.7			Indoor Unit Display		
Gross Weight		lbs	103.6			Yes		
REFRIGERANT PIPING						Auxiliary Electrical Heater		
Refrigerant Charge - R32		oz	42.3			No		
Additional Charge		oz/ft	0.1			Ventilation (Outdoor Air)		
Line Set Size (Liquid - Gas) - Flared Connections		in	1/4 - 1/2			No		
Pre-Charge Length		ft	25			REMOTE CONTROLLER FUNCTIONS		
Pipe Length (Min - Max)		ft	10 - 131			Auto Mode		
Max. Pipe Elevation		ft	82			Yes		
ELECTRICAL						Auto Fan		
Power Supply		208-230V / 1Ph / 60Hz (Powered by the Outdoor Unit)					Auto Swing (Horizontal Auto Swing)	
Voltage Range (Min - Max)		VAC	187 - 253			Yes		
Rated Current - Cooling		A	11			Auto Swing (Vertical Auto Swing)		
Rated Current - Heating		A	12			Yes		
MOCP		A	20			Clock on Remote Controller		
MCA		A	15			Yes		
Main Power Wire Size		AWG	Per Local Code			Dry Mode		
Interconnecting Wire Size		AWG	14 / 4			Yes		
						Dry Anti-Mildew (X-Fan) Mode		
						Yes		
						Energy Saving Mode		
						Yes		
						Dirty Filter Alert		
						No		
						I Feel Function		
						Yes		
						Lock on Remote Controller		
						Yes		
						Quiet Mode		
						Yes		
						Room Temperature Display		
						Yes		
						Sleep Mode		
						Yes		
						Timer Mode		
						Yes		
						Turbo Mode		
						Yes		
						Display On/Off Control		
						Yes		
						Freeze Guard Mode (46°F)		
						Yes		
						Display On/Off Control		
						Yes		

DIMENSIONS

INDOOR UNIT

Unit: inch

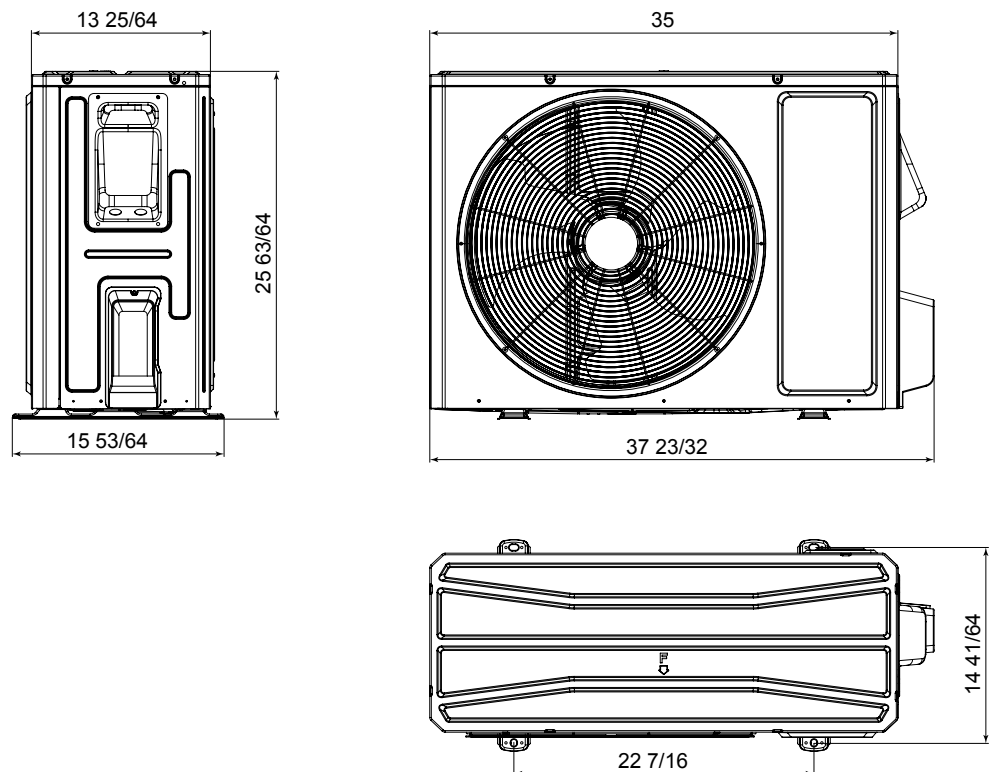
LIV24HP230V1R32AH	
DIMENSIONS	
W	42 7/16
H	13 7/64
D	9 11/16
W1	6 15/64
W2	22 7/64
W3	10 5/32



OUTDOOR UNIT

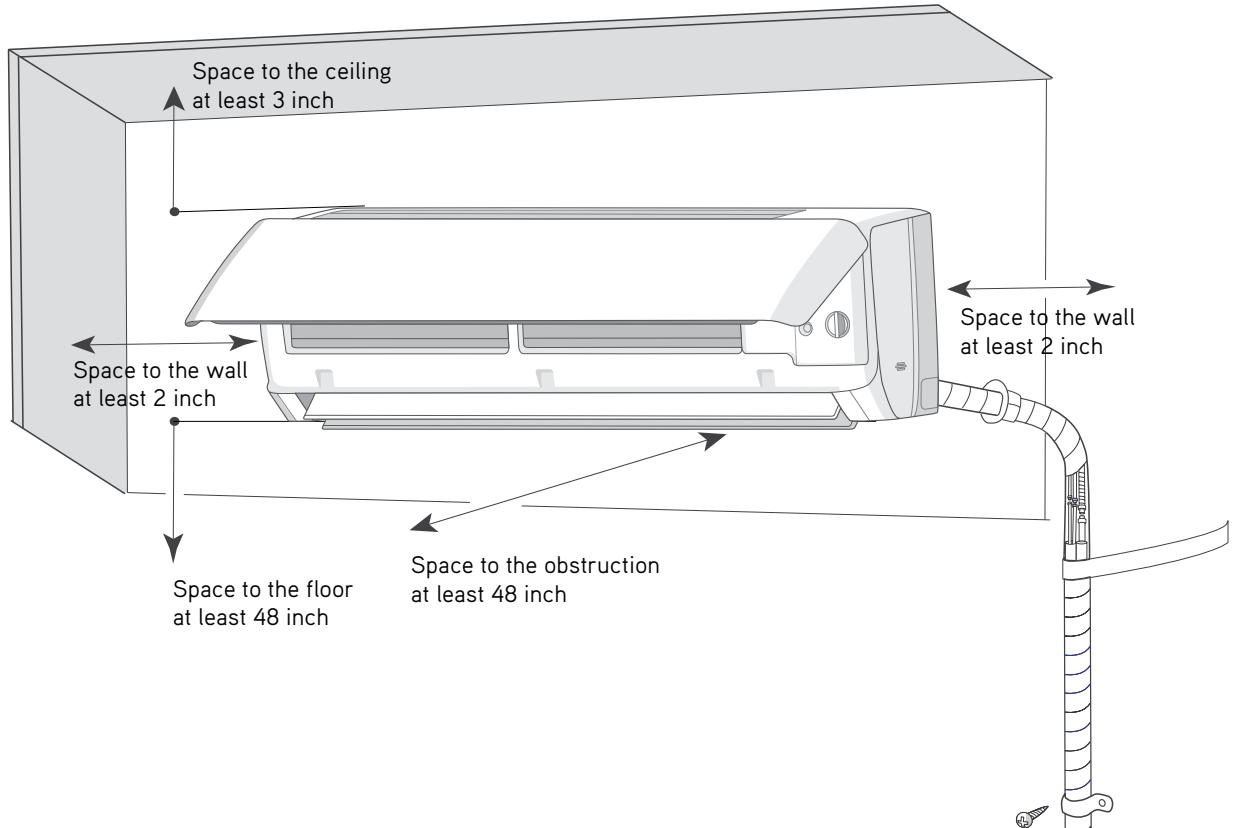
Unit: inch

LIV24HP230V1R32AO

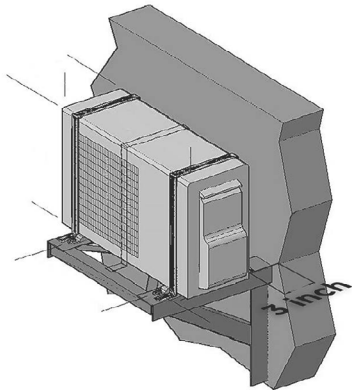


CLEARANCES

INDOOR UNIT Minimum clearance



OUTDOOR UNIT Minimum clearance



NOTE:
If bottom of the unit is free of airflow obstructions similar to the mounting bracket figure, the clearance to the wall on the back can be reduced to 3 inches.



Specifications are subject to change without notice. Manufacturer reserves the right to discontinue or modify specifications or designs without notice or without incurring obligations. All Rights reserved.