





## SUBMITTAL DATA

LIV36HP230V1R32AH / LIV36HP230V1R32AO  
36000 BTU/H Wall Mounted Heat Pump System

Job Name	Location	Date
Purchaser	Engineer	
Submitted to	For	
Unit Designation	Schedule No.	

			
YBE1FB1F	LIV36HP230V1R32AH	LIV36HP230V1R32AO	XE71 (Optional)

### GENERAL FEATURES

- AHRI Certificate: [214779348](#)
- New R32 Refrigerant
- High Efficiency DC Inverter Technology
- Compact and Quiet Design
- Wireless Remote with LCD Display
- Wired Controller Options
- Composite Drain Pan
- Wi-Fi Included
- Low Ambient Cooling down to 0°F (Range 0°F to 118°F)
- Low Ambient Heating down to -13°F (Range -13°F to 75°F)
- Coil (Indoor and Outdoor) Copper Tube / Aluminum Fin
- Blue Colored Fin - 500 Hrs Salt Spray Tested

## SPECIFICATIONS, FEATURES & FUNCTION SUMMARY

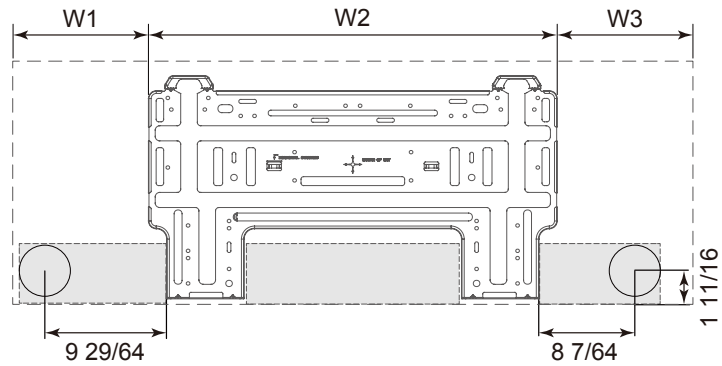
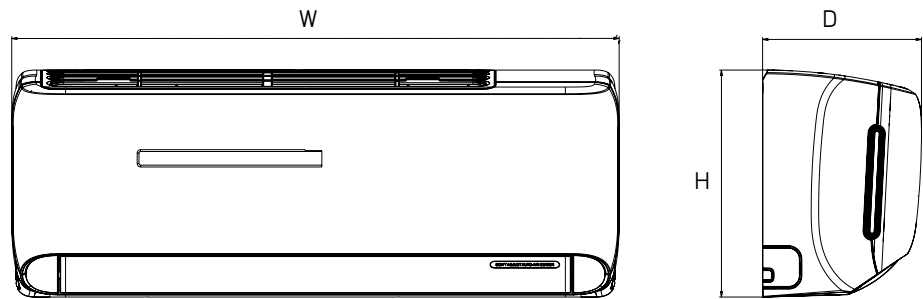
SYSTEM TYPE			HEAT PUMP			FEATURES & FUNCTIONS SUMMARY			
Outdoor Model			LIV36HP230V1R32AO			Inverter Type			
Indoor Model			LIV36HP230V1R32AH			G20			
SYSTEM PERFORMANCE									
Cooling Capacity	Min - Max	Btu/h	7,850 - 37,500						
	Rated Capacity @95°F	Btu/h	33,600						
Heating Capacity	Min - Max	Btu/h	10,000 - 37,500						
	Rated Capacity @47°F	Btu/h	34,000						
	Rated Capacity @17°F	Btu/h	27,400						
	Rated Capacity @5°F	Btu/h	24,600						
SEER2			21.0			Outdoor Fin Coating (Color:Blue)			
EER2			10.6			Acrylic-Resin/Anti-Corrosive			
HSPF2			8.5			Intelligent Defrosting			
COP @5°F			1.8			Force Defrosting			
Cooling Temperature Range		°F	-4 - 122					Intelligent Preheating	
Heating Temperature Range		°F	-13 - 75					Low Voltage Startup	
Refrigerant Type			R32			Memory/Power Failure Recovery			
INDOOR UNIT			LIV36HP230V1R32AH			Self Diagnosis			
Air flow (Min - Max)		CFM	441 - 794					Wired Controller Interface	
Sound Pressure Level (Min - Max)		dB(A)	36 - 52					WiFi Included	
Dehumidification		pt/hr	7.40					Indoor Fan Type	
External Dimensions (W x H x D)		in	42-7/16 x 13-7/64 x 9-11/16					Crossflow	
Package Dimension (W x H x D)		in	44-39/64 x 16-19/64 x 13-7/64					Multi Fan Speeds	
Net Weight		lbs	34.2					6 Speeds	
Gross Weight		lbs	40.8					Indoor Unit Display	
OUTDOOR UNIT			LIV36HP230V1R32AO			Auxiliary Electrical Heater			
Compressor Type		GREE G20 / SINGLE CYLINDER / 1 - STAGE INVERTER						Ventilation (Outdoor Air)	
Sound Pressure Level		dB(A)	62					No	
External Dimensions (W x H x D)		in	39-3/8 x 29-3/8 x 15-13/16					No	
Package Dimension (W x H x D)		in	42-33/64 x 31-57/64 x 19-1/64					REMOTE CONTROLLER FUNCTIONS	
Net Weight		lbs	122.4					Auto Mode	
Gross Weight		lbs	133.4					Auto Fan	
REFRIGERANT PIPING									
Refrigerant Charge - R32		oz	56.4					Manual Horizontal Swing	
Additional Charge		oz/ft	0.4					Auto Swing (Vertical Auto Swing)	
Line Set Size (Liquid - Gas) - Flared Connections		in	1/4 - 5/8					Yes	
Pre-Charge Length		ft	25					Auto Swing (Vertical Auto Swing)	
Pipe Length (Min - Max)		ft	10 - 131					Yes	
Max. Pipe Elevation		ft	82					Lock on Remote Controller	
ELECTRICAL									
Power Supply		208-230V / 1Ph / 60Hz (Powered by the Outdoor Unit)						Quiet Mode	
Voltage Range (Min - Max)		VAC	187 - 253					Room Temperature Display	
Rated Current - Cooling		A	20					Sleep Mode	
Rated Current - Heating		A	20					Timer Mode	
MOCP		A	35					Turbo Mode	
MCA		A	24					Display On/Off Control	
Main Power Wire Size		AWG	Per Local Code					Yes	
Interconnecting Wire Size		AWG	14 / 4					Freeze Guard Mode (46°F)	
								Display On/Off Control	
								Yes	

## DIMENSIONS

### INDOOR UNIT

Unit: inch

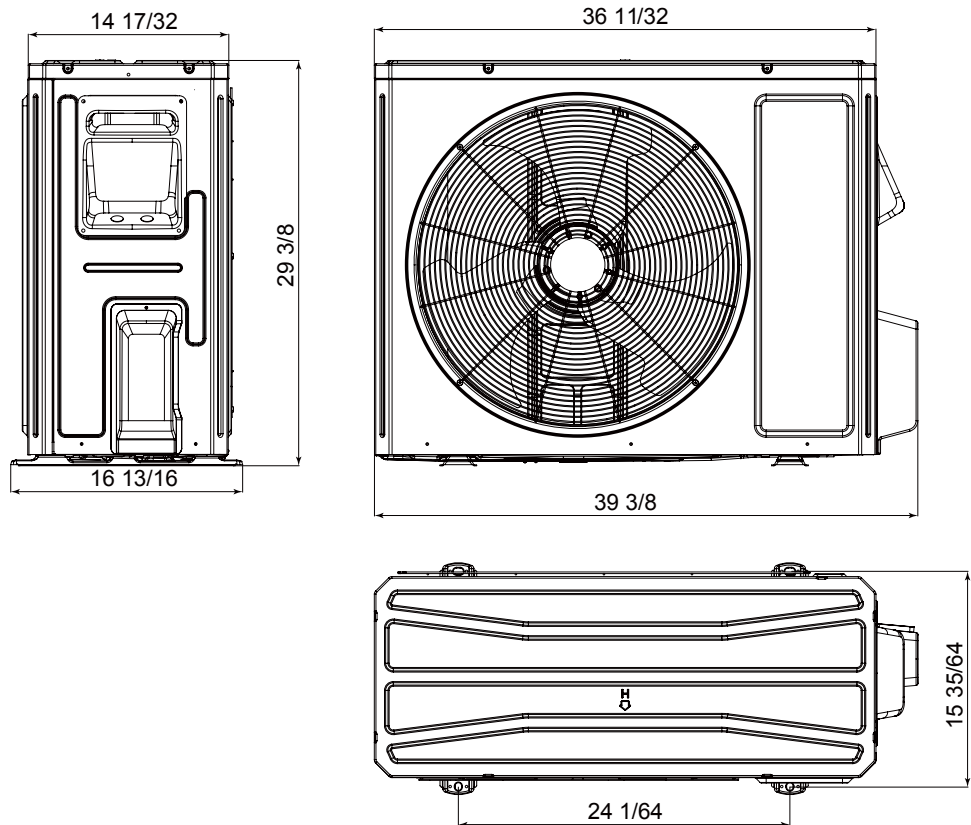
LIV36HP230V1R32AH	
DIMENSIONS	
W	42 7/16
H	13 7/64
D	9 11/16
W1	6 15/64
W2	22 7/64
W3	10 5/32



### OUTDOOR UNIT

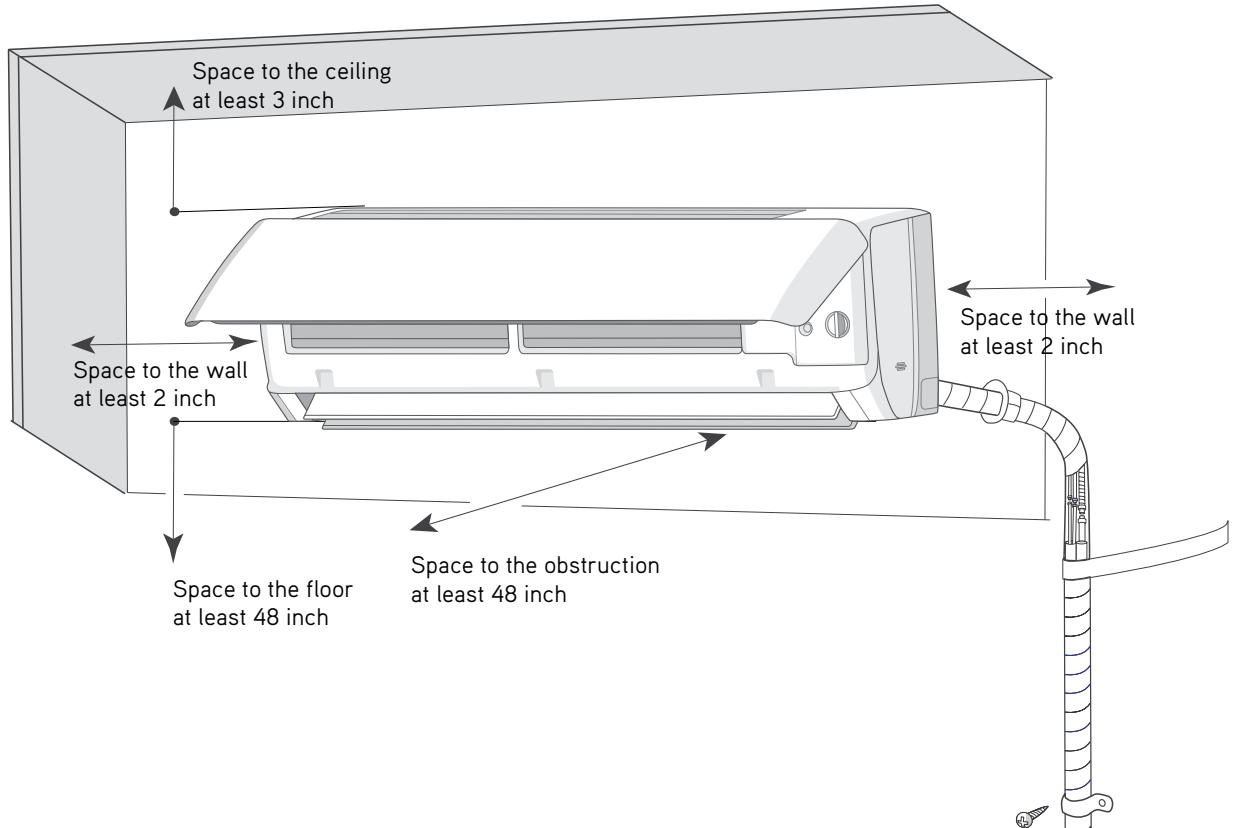
Unit: inch

LIV36HP230V1R32AO
-------------------



# CLEARANCES

## INDOOR UNIT Minimum clearance



## OUTDOOR UNIT Minimum clearance

3 inch

**NOTE:**  
If bottom of the unit is free of airflow obstructions similar to the mounting bracket figure, the clearance to the wall on the back can be reduced to 3 inches.

This diagram shows a mounting bracket for an outdoor unit. A dimension line indicates a 3-inch clearance from the back of the unit to the wall when the unit is mounted on this bracket.



Specifications are subject to change without notice. Manufacturer reserves the right to discontinue or modify specifications or designs without notice or without incurring obligations. All Rights reserved.